

How to Order

Eaton Quick Disconnect Couplings can be ordered as separate halves. For special packaging, contact Eaton. Standard coupling part numbers are described below.

Dimensions

Dimensions in this catalog are for reference only. Actual dimensions may vary from those shown.

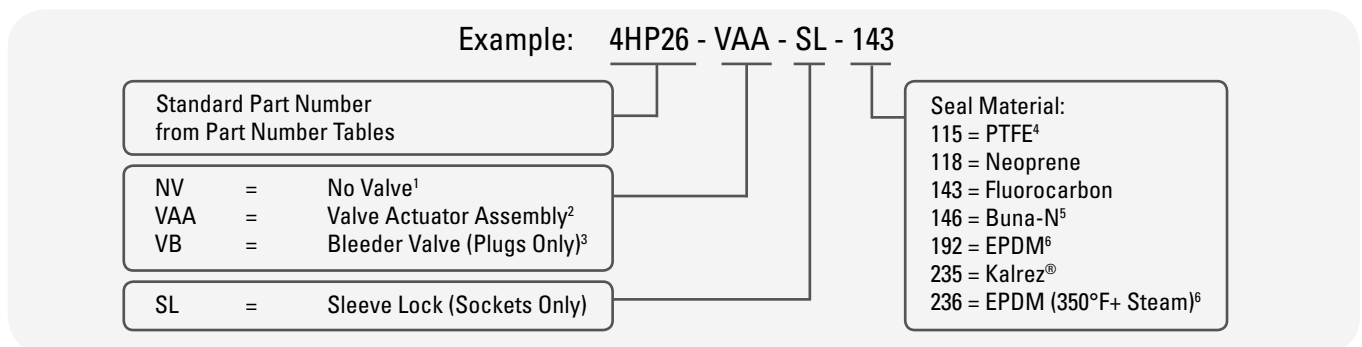
Coupling Identification

Generally, the coupling series or complete part number will be stenciled on the coupling body.

Caution:

The user should carefully observe the precautions listed in this catalog. These include selection of seals and body materials for fluid compatibility and recommendations on the selection of quick disconnect couplings. In addition, care should be taken not to exceed the maximum operating pressures listed for each coupling size and type shown in the physical characteristics table for each coupling. Because of possible variations in machining tolerances, quality control, inspection and quality assurance, Eaton coupling halves should not be used with coupling halves supplied by other manufacturers except where such use is approved for a particular coupling as noted in this catalog or specifically by Eaton.

HK Series (pages 24 to 32) – How to build a socket or plug part number with options:



Notes:

- 1) The NV option should be specified for a socket and a plug when a non-valved coupling is desired. Non-valved Series 1HK through 8HKP plugs do not contain seals. Do not specify a seal material.
- 2) The VAA option should be specified for either a socket or a plug when a one-way coupling is desired. (Not available for series 10HK)
- 3) The VB option can be ordered for Series 1HK through 6HKP plugs to prevent pressure build-up in disconnected hydraulic lines or to reduce hose whip when disconnecting pneumatic lines.
- 4) Series HK couplings are designed for use with elastomer seals. PTFE is not an elastomer. It is rigid and not resilient. Couplings with PTFE seals may leak and/or be difficult to connect. Force to connect may be reduced by heating connected couplings in hot water; then, cooling before disconnecting. PTFE seals are available for Series 1-HK through 8-HKP, except Series P2-HK.
- 5) The 146 seal option may be specified for fuels and hydraulic fluids that are known to cause standard Buna-N seals to swell excessively.
- 6) The 236 EPDM seal option should be ordered for use with steam at or above 350° F. The 192 EPDM seal option should be ordered for hot water above 180° F and steam below 350° F.
- 7) Some part numbers may be subject to minimum order quantities and/or available only by special quotation. Consult your local distributor or sales representative.